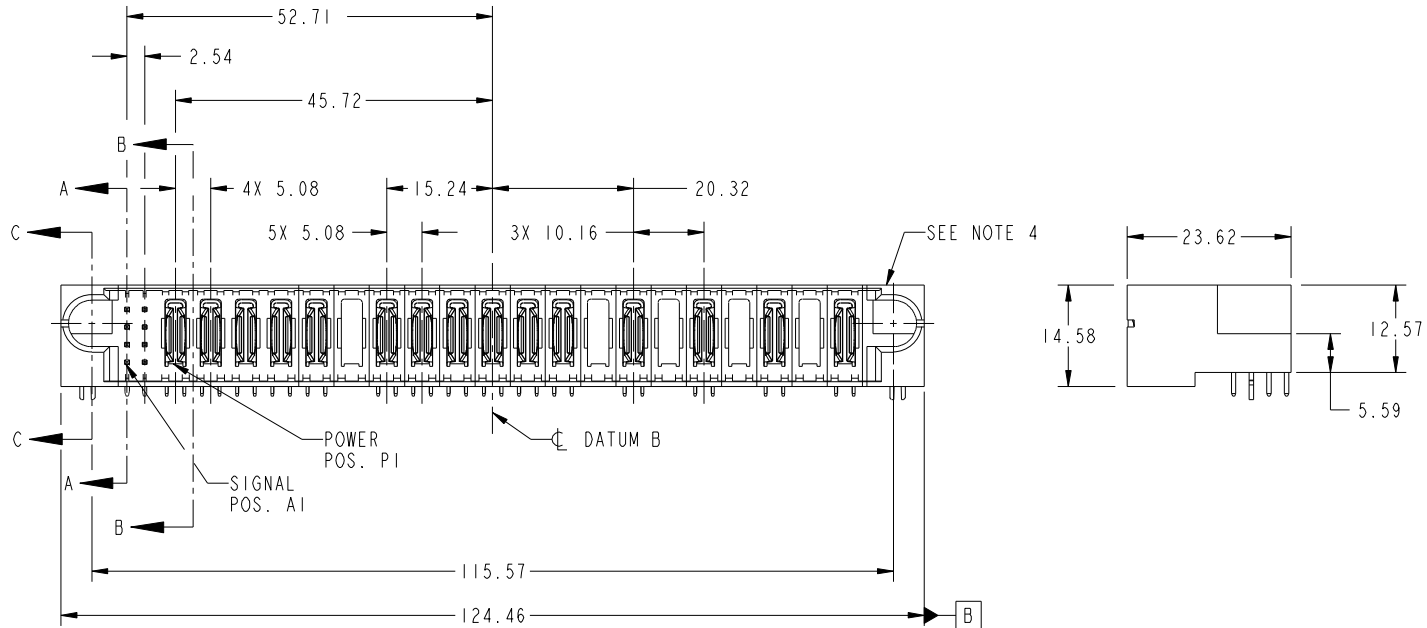


Tous droits strictement réservés. Reproduction ou communication a des tiers interdite sous quelque forme que ce soit sans autorisation écrite du propriétaire. Propriété de c FCI. Droits de reproduction FCI.

All rights strictly reserved. Reproduction or issue to third parties in any form whatever is not permitted without written authority from the proprietor. Property of FCI. Copyright FCI.



PRODUCT NO. 51939-472... NOTE 3	ROWS DCBA	POWER																			E2	
		E1	1	2	P1	P2	P3	P4	P5	P6	P7	P8	P9	P10	P11	P12	P13	P14	P15	P16		P17



CODE	DIM "M" MATING LENGTH	CONTACT TYPE
E	[5.59]	SIGNAL
F	[5.59]	SIGNAL
G	[5.59]	SIGNAL
H	[5.59]	SIGNAL
PA	[N/A]	POWER
HA	[N/A]	HOLD-DOWN
X	OMITTED	OMITTED

mat'l code				SEE NOTE		tolerances unless otherwise specified		CUSTOMER	
ltr	ecn no.	dr	date	linear	0.X ± 0.5	COPY		projection	
A	DG09-0342	WL	11/04/09	angles	0.XX ± 0.25	MIM		title	
					0.XXX ± 0.1	1:1		8S + 20P RIGHT ANGLE SOLDER HEADER	
				dr	0° ± 2°	scale		product family	
				enr	WL ZHANG 11/04/09	A		PwrBlade	
				chr	JEROME CHEN 11/04/09	A		code	
				appd	PM ZHENG 11/04/09	A		213	
					JOSEPH HSIA 11/04/09	A		sheet	
sheet index	revision sheet	A	A	A	A	A		1 of 4	
		1	2	3	4				

www.fciconnect.com	
title	
8S + 20P RIGHT ANGLE SOLDER HEADER	
product family	PwrBlade
size	dwg no
A	51939-472
code	213
sheet	1 of 4

sheet index	revision sheet	A	A	A	A
		1	2	3	4

cage code	22526
-----------	-------

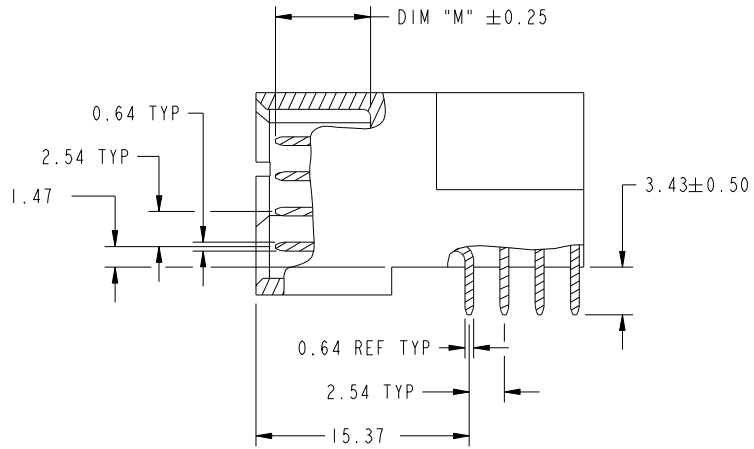
Pro/E

Tous droits strictement reserves. Reproduction ou communication a des tiers interdite sous quelque forme que ce soit sans autorisation écrite du propriétaire. Propriete de c FCI. Droits de reproduction FCI.

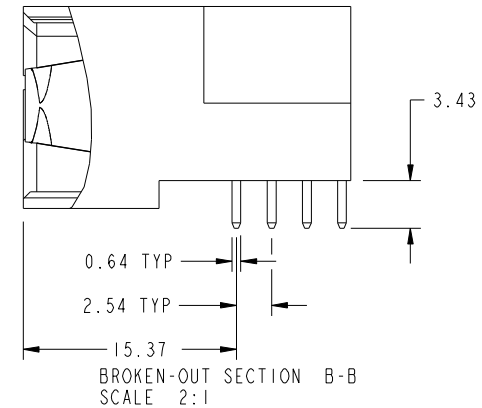
All rights strictly reserved. Reproduction or issue to third parties in any form whatever is not permitted without written authority from the proprietor. Property of FCI. Copyright FCI.



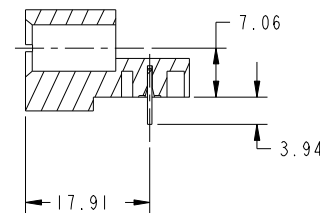
PRODUCT NUMBER
51939-472--
NOTE: 3



BROKEN-OUT SECTION A-A
SCALE 2:1



BROKEN-OUT SECTION B-B
SCALE 2:1



SECTION C-C

mat'l code		SEE NOTE		tolerances unless otherwise specified		CUSTOMER		 www.fciconnect.com	
ltr	ecr no.	dr	date	linear	0.X ±0.5	COPY		title	
A					0.XX ±0.25	projection		8S + 20P RIGHT ANGLE SOLDER HEADER	
				angles	0.XXX ±0.1			product family	
				dr	0° ±2°			PwrBlade	
				enr	WL ZHANG 11/04/09	scale		code	
				chr	JEROME CHEN 11/04/09	1:1		213	
				appd	PM ZHENG 11/04/09			sheet	
					JOSEPH HSIA 11/04/09			2 of 4	
sheet index	revision sheet							cage code	
								22526	

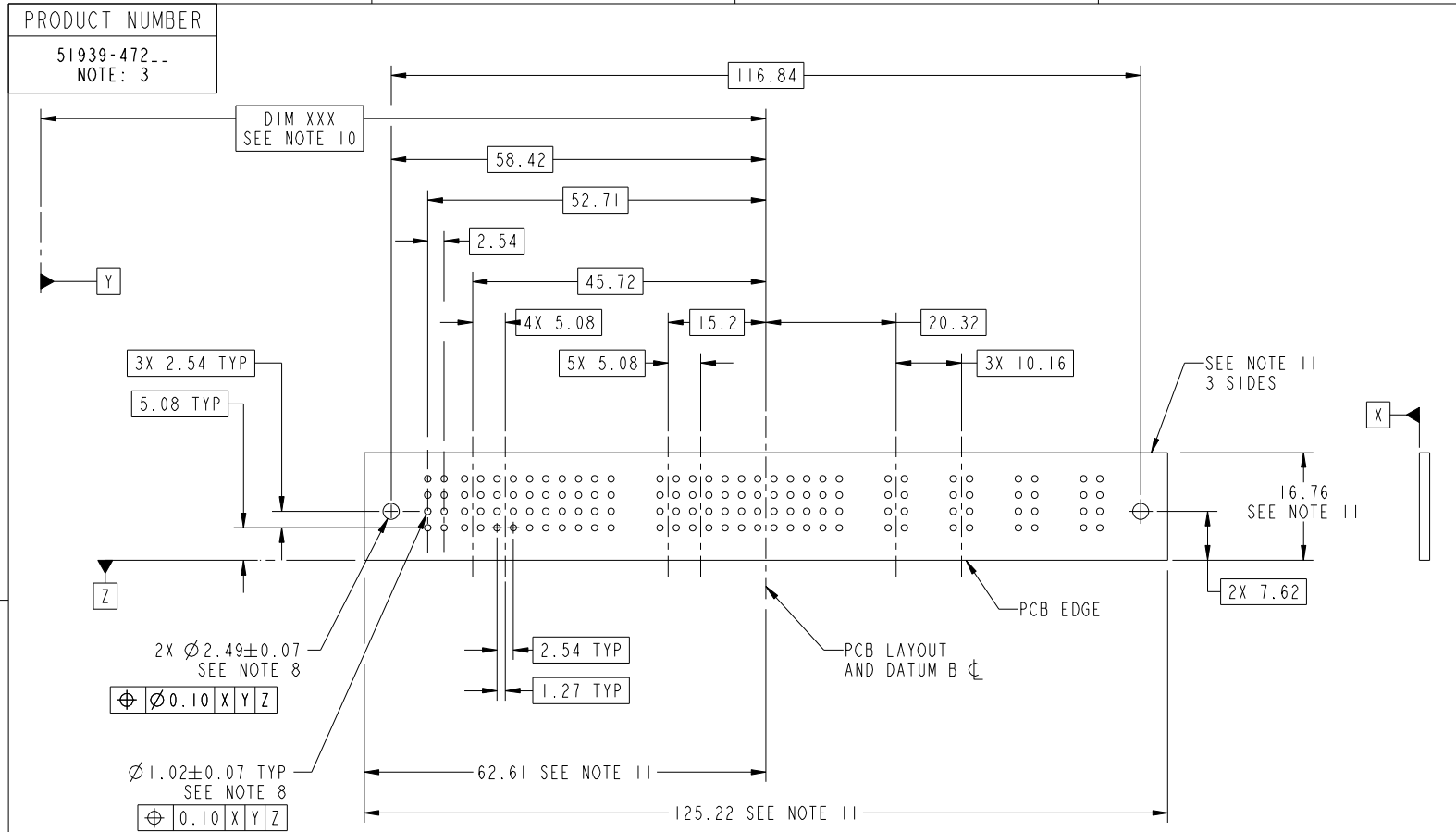
Pro/E

cage code 22526

Tous droits strictement réservés. Reproduction ou communication a des tiers interdite sous quelque forme que ce soit sans autorisation écrite du propriétaire. Propriété de c FCI. Droits de reproduction FCI.



All rights strictly reserved. Reproduction or issue to third parties in any form whatever is not permitted without written authority from the proprietor. Property of FCI. Copyright FCI.



RECOMMENDED PCB LAYOUT

mat'l code				SEE NOTE	tolerances unless otherwise specified		CUSTOMER		FCI		www.fciconnect.com	
ltr	ecn no.	dr	date	linear	0.X ± 0.5		COPY		projection	title		
A					0.XX ± 0.25		MIM			8S + 20P		
					0.XXX ± 0.1		← MIM →			RIGHT ANGLE SOLDER HEADER		
				angles	0° ± 2°		scale		product family		code	
					dr WL ZHANG 11/04/09		1:1		PwrBlade		213	
					enrg JEROME CHEN 11/04/09		A		size		sheet	
					chr PM ZHENG 11/04/09				dwg no		3 of 4	
					appd JOSEPH HSIA 11/04/09				51939-472			
sheet index	revision sheet											

Pro/E

cage code 22526

Tous droits strictement reserves. Reproduction ou communication a des tiers interdite sous quelque forme que ce soit sans autorisation écrite du propriétaire. Propriete de c FCI. Droits de reproduction FCI.



All rights strictly reserved. Reproduction or issue to third parties in any form whatever is not permitted without written authority from the proprietor. Property of FCI. Copyright FCI.

PRODUCT NUMBER
51939-472--
NOTE: 3

NOTES:

1. DIMENSIONS AND TOLERANCES ARE IN ACCORDANCE WITH ASME Y14.5M, 1994 UNLESS OTHERWISE SPECIFIED.

CONNECTOR NOTES:

- 2. HOUSING MATERIAL: UL 94 V-0 GLASS FILLED
HIGH-TEMP THERMOPLASTIC
POWER CONTACT MATERIAL: COPPER ALLOY
SIGNAL PIN MATERIAL: COPPER ALLOY
- 3. PLATING SPEC.
SEE ITEM 1 & 2 IN PRINT 10064183 FOR PLATING SPEC OF 51939-472; 51939-472LF PRESPECTIVELY
- 4. MANUFACTURER'S NAME, DATE CODE AND OPTIONAL P/N TO APPEAR ON THIS SURFACE.
THE P/N CAN BE OMITTED IF THERE IS NOT ENOUGH SPACE ON THIS SURFACE.
- 5. PRODUCT SPECIFICATION GS-12-149.
APPLICATION SPECIFICATION BUS-20-067.
- 6. PACKAGED IN TRAYS.

PCB NOTES:

- 7. ALL HOLE DIAMETERS ARE FINISHED HOLE SIZE.
- 8. MOUNTING HOLES, WHERE APPLICABLE, ARE UNPLATED.
- 9. $\varnothing 1.151 \pm 0.025$ DRILLED HOLES PLATED WITH
0.008 MIN SnPb OR Sn OVER 0.03
TO 0.08 Cu PLATING TO ACHIEVE
 $\varnothing 1.02 \pm .07$ HOLE.
- 10. "DIM XXX" TO BE DETERMINED BY THE CUSTOMER.
- 11. CONNECTOR KEEP-OUT ZONE.

mat'l code		SEE NOTE		tolerances unless otherwise specified		CUSTOMER		FCI		www.fciconnect.com	
ltr	ecn no.	dr	date	linear	0.X ± 0.5	COPY		projection		title	
A					0.XX ± 0.25	MIM				8S + 20P RIGHT ANGLE SOLDER HEADER	
				angles	0.XXX ± 0.1	MIM		product family		PwrBlade	code
				dr	0° ± 2°	← MIM →		size		dwg no	213
				enr	WL ZHANG 11/04/09	scale		A		51939-472	sheet
				chr	JEROME CHEN 11/04/09	1:1					4 of 4
				appd	PM ZHENG 11/04/09						
					JOSEPH HSIA 11/04/09						
sheet index	revision sheet										

cage code 22526

Pro/E