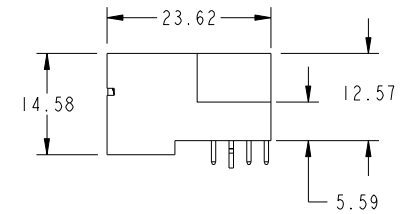
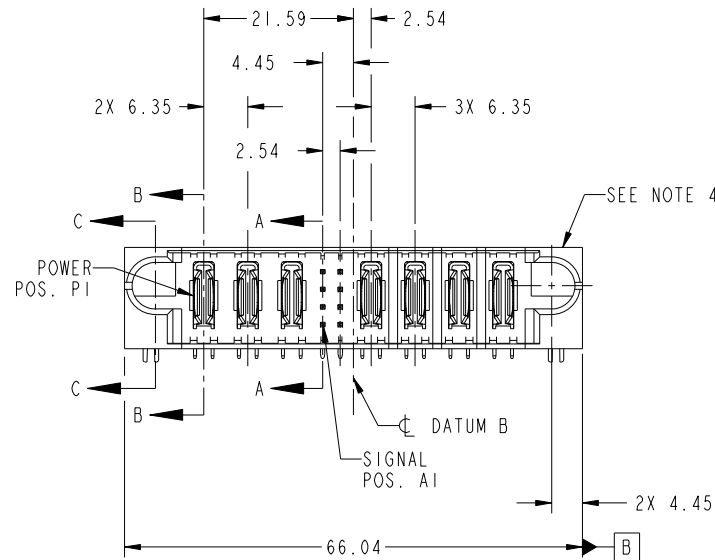


Tous droits strictement réservés. Reproduction ou communication a des tiers interdite sous quelque forme que ce soit sans autorisation écrite du propriétaire. Propriete de c FCI. Droits de reproduction FCI.

All rights strictly reserved. Reproduction or issue to third parties in any form whatever is not permitted without written authority from the proprietor. Property of FCI. Copyright FCI.



| | | | | | | | | | | | |
|------------------------|------------------|-------|----|----|-----|-------|---|----|----|----|----|
| PRODUCT NO. | ROWS | POWER | | | SIG | POWER | | | | | |
| | | E1 | P1 | P2 | P3 | 1 | 2 | P4 | P5 | P6 | P7 |
| 51939-411... NOTE 3 | D C B A | | | | | | | | | | |



| CODE | DIM "M" MATING LENGTH | CONTACT TYPE |
|------|-----------------------------|-----------------|
| U | [6.86] | SIGNAL |
| T | [6.86] | SIGNAL |
| S | [6.86] | SIGNAL |
| R | [6.86] | SIGNAL |
| PA | [N/A] | POWER |
| HA | [N/A] | HOLD-DOWN |

| | | | | | | | | | | |
|-------------|----------------|----|----------|----------|---------------------------------------|------------|-----------|---|-----------|--------------|
| mat'l code | | | | SEE NOTE | tolerances unless otherwise specified | | CUSTOMER | | | |
| ltr | ecn no. | dr | date | linear | 0.X ±0.5 | projection | COPY | www.fciconnect.com | | |
| A | DG09-0089 | WD | 03/25/09 | angles | 0.XX ±0.25 | | | title 3P + 8S + 4P RIGHT ANGLE SOLDER HEADER | | |
| | | | | | 0.XXX ±0.1 | | | product family PwrBlade code 213 | | |
| | | | | dr | Warren Du 01/07/09 | MIM | scale 1:1 | size | dwg no | |
| | | | | enr | Warren Du 01/07/09 | | | A | 51939-411 | sheet 1 of 4 |
| | | | | chr | Gary Hsieh 01/07/09 | | | | | |
| | | | | appd | JOSEPH HSIA 01/07/09 | | | | | |
| sheet index | revision sheet | A | A | A | A | | | | | |
| | | 1 | 2 | 3 | 4 | | | | | |

cage code 22526

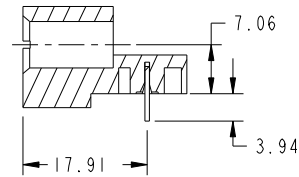
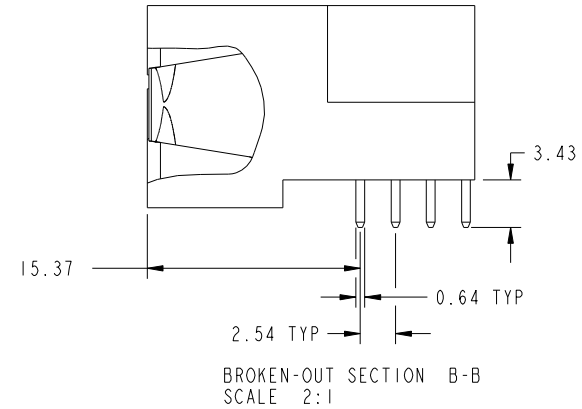
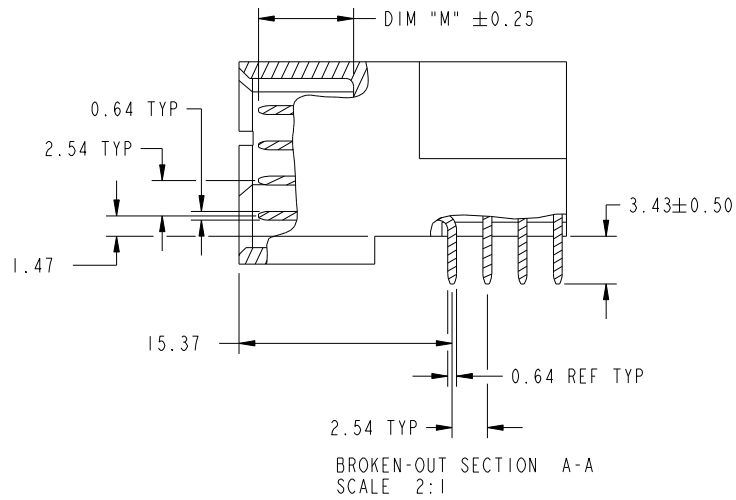
Pro/E

Tous droits strictement reserves. Reproduction ou communication a des tiers interdite sous quelque forme que ce soit sans autorisation ecrite du proprietaire. Propriete de c FCI. Droits de reproduction FCI.

All rights strictly reserved. Reproduction or issue to third parties in any form whatever is not permitted without written authority from the proprietor. Property of FCI. Copyright FCI.



PRODUCT NUMBER
51939-411--
NOTE: 3



| | | | | | | | | | | | |
|-------------|----------------|----|------|----------|-------------|---------------------------------------|------------|----------|--|----------------------------------|--|
| mat'l code | | | | SEE NOTE | | tolerances unless otherwise specified | | CUSTOMER | | www.fciconnect.com | |
| ltr | ecn no. | dr | date | linear | 0.X ±0.5 | | COPY | | title 3P + 8S + 4P RIGHT ANGLE SOLDER HEADER | | |
| A | | | | | 0.XX ±0.25 | | projection | | | | |
| | | | | | angles | 0.XXX ±0.1 | | MIM | | product family PwrBlade code 213 | |
| | | | | dr | | Warren Du | 01/07/09 | scale | | size dwg no 2 of 4 | |
| | | | | enr | Warren Du | 01/07/09 | 1:1 | | A 51939-411 | | |
| | | | | chr | Gary Hsieh | 01/07/09 | | | | | |
| | | | | appd | JOSEPH HSIA | 01/07/09 | | | | | |
| sheet index | revision sheet | | | | | | | | | | |

cage code 22526

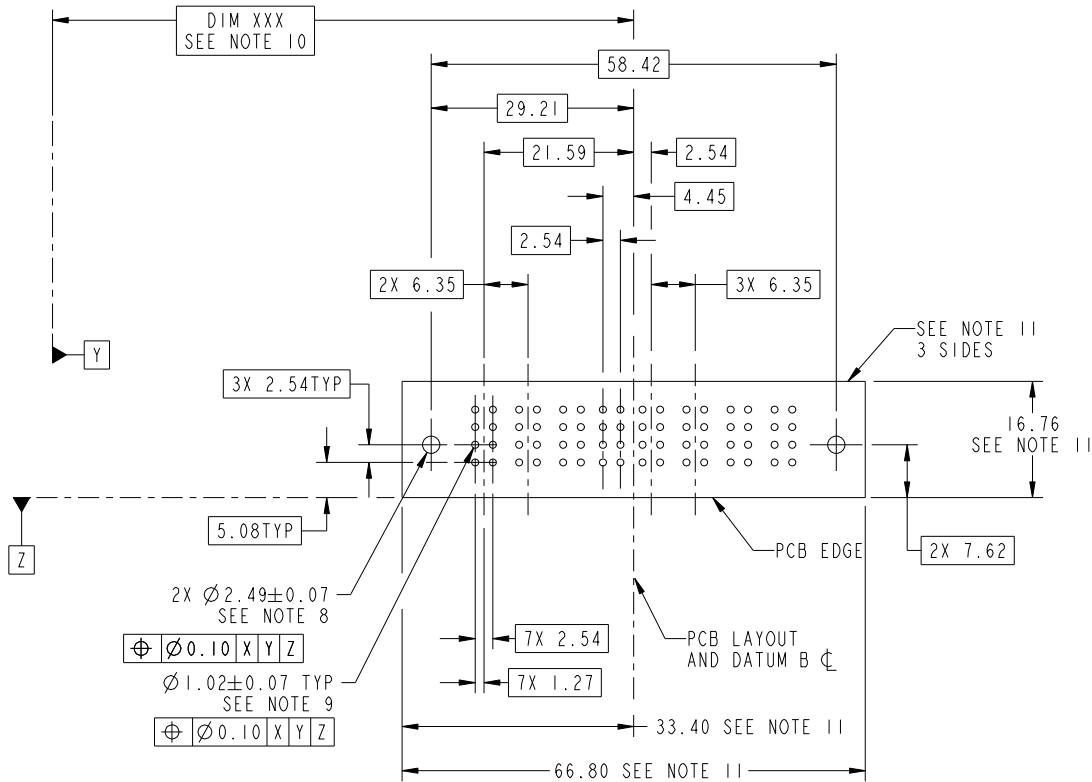
Pro/E

Tous droits strictement reserves. Reproduction ou communication a des tiers interdite sous quelque forme que ce soit sans autorisation ecrite du proprietaire. Propriete de c FCI. Droits de reproduction FCI.



All rights strictly reserved. Reproduction or issue to third parties in any form whatever is not permitted without written authority from the proprietor. Property of FCI. Copyright FCI.

PRODUCT NUMBER
51939-411--
NOTE: 3



RECOMMENDED PCB LAYOUT

| | | | | | | | | | |
|-------------|----------------|----------|------|---------------------------------------|----------------------|------------|--|---|--|
| mat'l code | | SEE NOTE | | tolerances unless otherwise specified | | CUSTOMER | | FCI | |
| ltr | ecn no. | dr | date | linear | 0.X ±0.5 | COPY | | www.fciconnect.com | |
| A | | | | | 0.XX ±0.25 | projection | | title | |
| | | | | angles | 0.XXX ±0.1 | | | 3P + 8S + 4P RIGHT ANGLE SOLDER HEADER | |
| | | | | dr | 0° ±2° | | | product family PwrBlade code | |
| | | | | enr | Warren Du 01/07/09 | scale | | size | |
| | | | | chr | Warren Du 01/07/09 | 1:1 | | dwg no | |
| | | | | appd | Gary Hsieh 01/07/09 | A | | 51939-411 | |
| | | | | | JOSEPH HSIA 01/07/09 | | | sheet | |
| sheet index | revision sheet | | | | | | | 3 of 4 | |

cage code 22526

Pro/E

Tous droits strictement reserves. Reproduction ou communication a des tiers interdite sous quelque forme que ce soit sans autorisation ecrite du proprietaire. Propriete de c FCI. Droits de reproduction FCI.



All rights strictly reserved. Reproduction or issue to third parties in any form whatever is not permitted without written authority from the proprietor. Property of FCI. Copyright FCI.

PRODUCT NUMBER
51939-411--
NOTE: 3

NOTES:

1. DIMENSIONS AND TOLERANCES ARE IN ACCORDANCE WITH ASME Y14.5M, 1994 UNLESS OTHERWISE SPECIFIED.

CONNECTOR NOTES:

- 2. HOUSING MATERIAL: UL 94 V-0 GLASS FILLED HIGH-TEMP THERMOPLASTIC
POWER CONTACT MATERIAL: COPPER ALLOY
SIGNAL PIN MATERIAL: COPPER ALLOY
- 3. SEE ITEM 1 & 2 IN PRINT 10064183 FOR PLATING SPEC OF 51939-411 AND 51939-411LF RESPECTIVELY.
- 4. MANUFACTURER'S NAME, P/N, AND DATE CODE TO APPEAR ON THIS SURFACE.
- 5. PRODUCT SPECIFICATION GS-12-149.
APPLICATION SPECIFICATION BUS-20-067.
- 6. PACKAGED IN TRAYS.

PCB NOTES:

- 7. ALL HOLE DIAMETERS ARE FINISHED HOLE SIZE.
- 8. MOUNTING HOLES, WHERE APPLICABLE, ARE UNPLATED.
- 9. $\varnothing 1.151 \pm 0.025$ DRILLED HOLES PLATED WITH
0.008 MIN SnPb OR Sn OVER 0.03
TO 0.08 Cu PLATING TO ACHIEVE
 $\varnothing 1.02 \pm 0.07$ HOLE.
- 10. "DIM XXX" TO BE DETERMINED BY THE CUSTOMER.
- 11. CONNECTOR KEEP-OUT ZONE.

| | | | | | | | | | | | | |
|-------------|----------------|----------|------|---------------------------------------|----------------------|------------|--|----------------|--|---------------------------|-------|--|
| mat'l code | | SEE NOTE | | tolerances unless otherwise specified | | CUSTOMER | | FCI | | www.fciconnect.com | | |
| ltr | ecn no. | dr | date | linear | 0.X ± 0.5 | COPY | | | | title | | |
| A | | | | | 0.XX ± 0.25 | projection | | | | 3P + 8S + 4P | | |
| | | | | angles | 0.XXX ± 0.1 | | | | | RIGHT ANGLE SOLDER HEADER | | |
| | | | | dr | Warren Du 01/07/09 | scale | | product family | | PwrBlade | code | |
| | | | | enr | Warren Du 01/07/09 | 1:1 | | size | | A | 213 | |
| | | | | chr | Gary Hsieh 01/07/09 | | | dwg no | | 51939-411 | sheet | |
| | | | | appd | JOSEPH HSIA 01/07/09 | | | sheet | | 4 of 4 | | |
| sheet index | revision sheet | | | | | | | | | | | |

cage code 22526

Pro/E