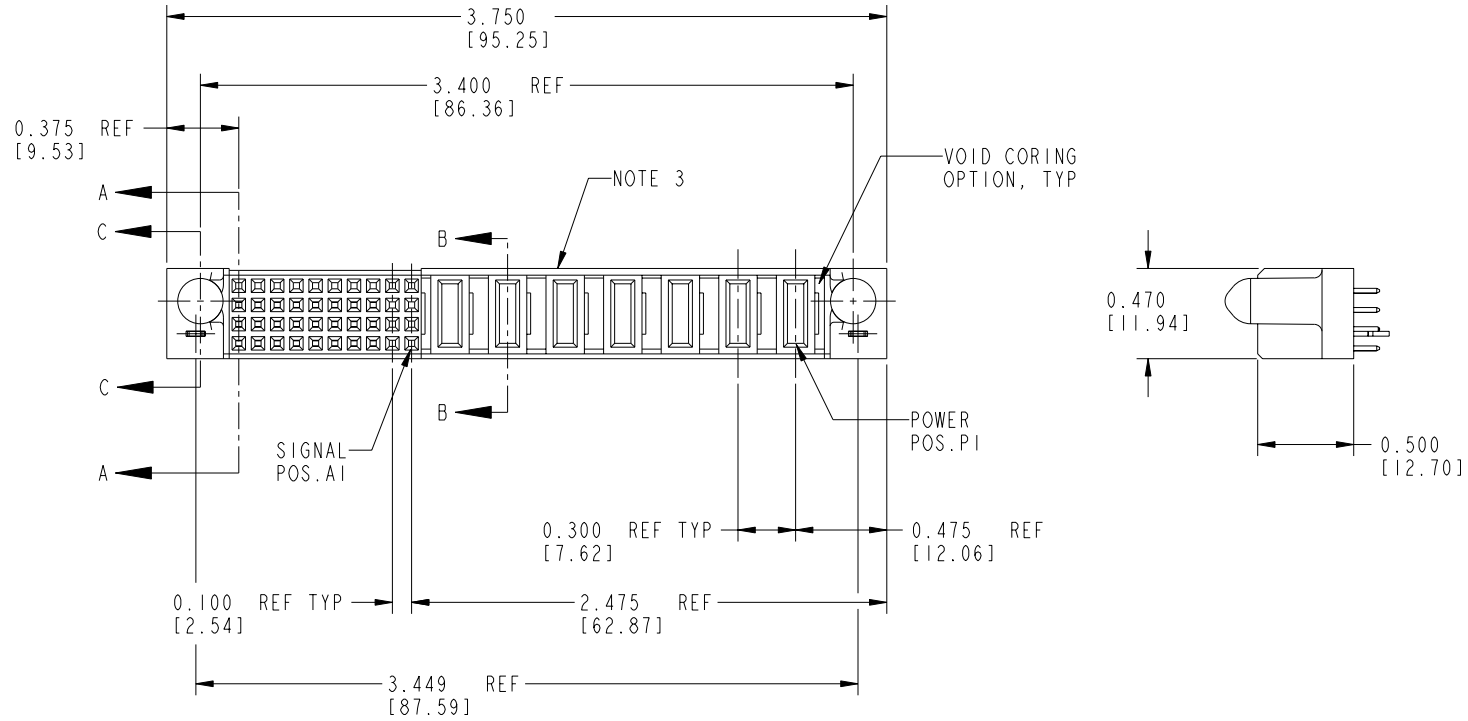


Tous droits strictement réservés. Reproduction ou communication a des tiers interdite sous quelque forme que ce soit sans autorisation écrite du propriétaire. Propriété de c FCI. Droits de reproduction FCI.

**FCI**

All rights strictly reserved. Reproduction or issue to third parties in any form whenever is not permitted without written authority from the proprietor. Property of FCI. Copyright FCI.

PRODUCT No.	ROWS	SIGNAL										POWER								
		E2	10	9	8	7	6	5	4	3	2	1	P7	P6	P5	P4	P3	P2	P1	E1
51658-001-- NOTE: ②	D	X	X	X	X	X	X	X	X	X	X									
	C	E	E	E	E	E	E	E	E	E	X		PD	PD	X					
	B	E	E	E	E	E	E	E	E	E	X									
	A	E	E	E	E	E	E	E	E	E	X									



CODE	DIM "M" ±0.010 [0.25]	CONTACT TYPE
E	N/A [N/A]	SIGNAL
PA	0.042 [1.07]	POWER
PD	0.092 [2.34]	POWER
HA	N/A [N/A]	HOLD-DOWN
X	OMITTED	OMITTED

mat'l code				SEE NOTES		tolerances unless otherwise specified		CUSTOMER	
ltr	ecn no.	dr	date	linear	.XX±.01/.X±.3		COPY		
A	V02392	JRW	10-09-00		.XXX±.005/.XX±.13		projection		
B	V02939	CGD	12-19-00	angles	.XXX±.0020/.XXX±.051		INCH / MM		
C	DG05-0301	CS	08/29/05		0°±2°		scale		
				dr	C. BAROT	05-11-99	1:1		
				engr	J. BROWN	05-11-99			
				chr	J. BROWN	05-11-99			
				appd	J. BROWN	05-11-99			
sheet index	revision sheet	C	C						
		1	2						

**CONFIDENTIAL**

**FCI** [www.fciconnect.com](http://www.fciconnect.com)

title: 7P + 40S  
VERTICAL SOLDER RECEPTACLE

product family: PwrBlade code: 213  
size: dwg no: 51658 sheet 1 of 3

cage code: 22526

Pro/E

3

22526

4

**PDM: Rev:C**

STATUS: **Released**

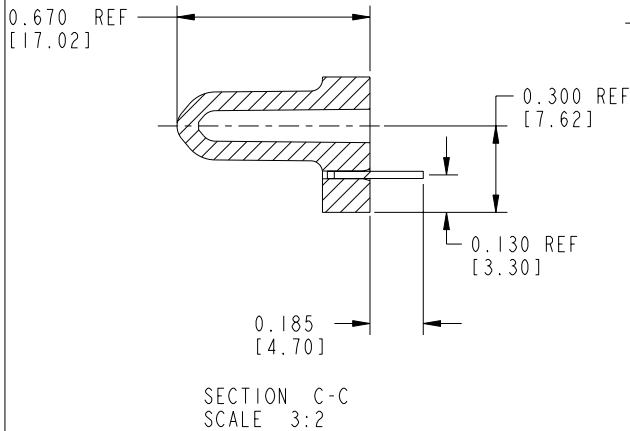
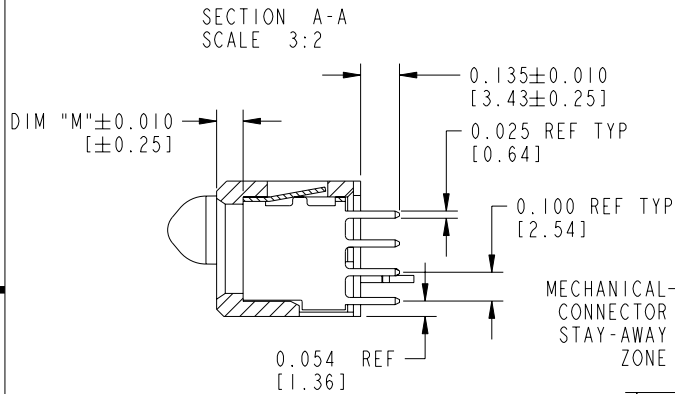
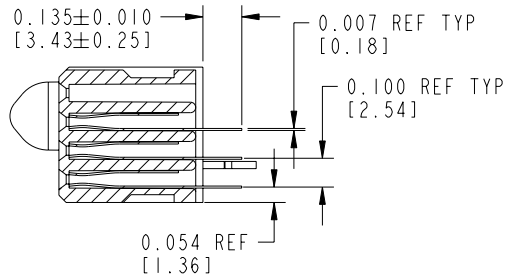
Printed: Dec 20, 2010

Tous droits strictement réservés. Reproduction ou communication a des tiers interdite sous quelque forme que ce soit sans autorisation écrite du propriétaire. Propriété de c FCI. Droits de reproduction FCI.

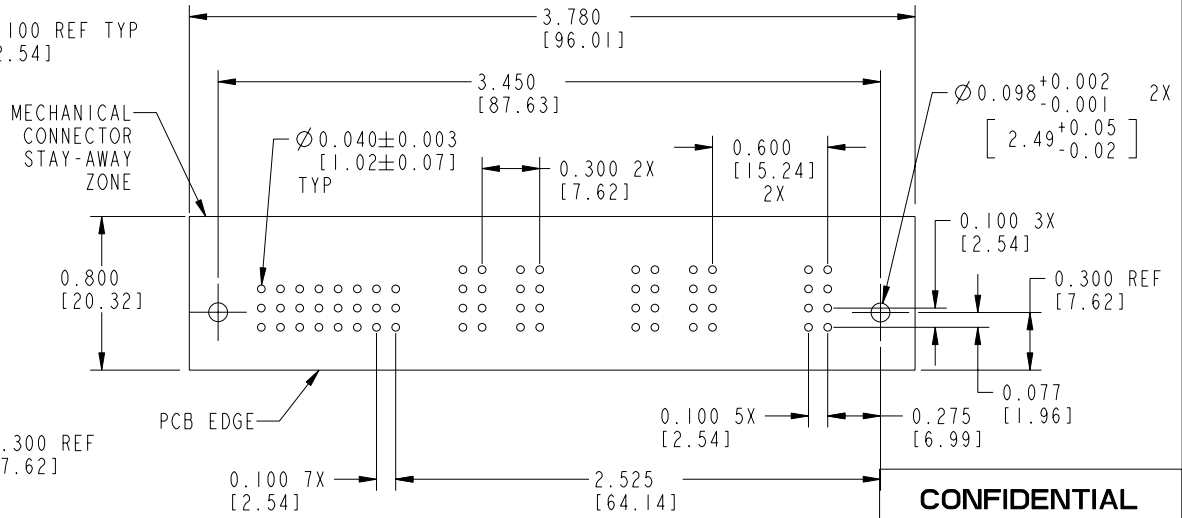
**FCI**

All rights strictly reserved. Reproduction or issue to third parties in any form whatever is not permitted without written authority from the proprietor. Property of FCI. Copyright FCI.

PRODUCT NUMBER  
51658-001--  
NOTE: ②



RECOMMENDED PCB LAYOUT



**CONFIDENTIAL**

mat'l code				SEE NOTES		tolerances unless otherwise specified		CUSTOMER		 www.fciconnect.com	
ltr	ecr no.	dr	date	linear	.XX±.01/.X±.3		COPY		title		
C					.XXX±.005/.XX±.13		projection		7P + 40S		
					.XXX±.0020/.XXX±.051				VERTICAL SOLDER RECEPTACLE		
				angles	0°±2°		INCH / MM		product family		code
					dr C. BAROT 05-11-99		scale		PWRBLADE		213
					enr J. BROWN 05-11-99		2:1		size		sheet
					chr J. BROWN 05-11-99				A 51658		2 of 3
				appd J. BROWN 05-11-99							
sheet index		revision sheet									

Pro/E

cage code 22526

**PDM: Rev:C**

STATUS: **Released**

Printed: Dec 20, 2010

Tous droits strictement réservés. Reproduction ou communication a des tiers interdite sous quelque forme que ce soit sans autorisation écrite du propriétaire. Propriété de c FCI. Droits de reproduction FCI.

**A**  
**FCI**

All rights strictly reserved. Reproduction or issue to third parties in any form whatever is not permitted without written authority from the proprietor. Property of FCI. Copyright FCI.

A

A

PRODUCT NUMBER  
51658-001--  
NOTE: ②

CONNECTOR NOTES:

- ①. HOUSING MATERIAL: UL 94 V-0 GLASS FILLED HIGH TEMP THERMOPLASTIC  
SIGNAL CONTACT MATERIAL: COPPER ALLOY  
POWER CONTACT MATERIAL: COPPER ALLOY
- ②. PLATING:

51658-001 Singal Pin: 30u"/0.76um Au OVER 50u"/1.27um Ni ON THE CONTACT AREA,  
AND 100u"/2.54um SnPb PLATING OVER 50u"/1.27um Ni ON THE TERMINATION SECTION.  
Power Pin: 30u"/0.76um Au OVER 50u"/1.27um Ni ON THE CONTACT AREA,  
AND 100u"/2.54um SnPb PLATING OVER 50u"/1.27um Ni ON THE TERMINATION SECTION.

51658-001LF Singal Pin: 30u"/0.76um Au OVER 50u"/1.27um Ni ON THE CONTACT AREA,  
AND 78u"/2.00um Sn PLATING OVER 50u"/1.27um Ni ON THE TERMINATION SECTION.  
Power Pin: 30u"/0.76um Au OVER 50u"/1.27um Ni ON THE CONTACT AREA,  
AND 78u"/2.00um Sn PLATING OVER 50u"/1.27um Ni ON THE TERMINATION SECTION.

PART NUMBER 51658-001LF MEETS EUROPEAN UNION DIRECTIVE AND OTHER COUNTRY REGULATIONS AS DESCRIBED IN GS-22-008.

THE HOUSING WILL WITHSTAND EXPOSURE TO 260° PEAK TEMPERATURE FOR 10 SECONDS IN A WAVE SOLDER APPLICATION WITH A CIRCUIT BOARD.

- 3. MANUFACTURER NAME, P/N AND DATE CODE TO APPEAR ON THIS SURFACE.
- 4. PRODUCT SPECIFICATION GS-12-149


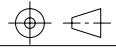
PCB NOTES:

- 5. ALL DIMENSIONS ARE BASIC UNLESS OTHERWISE SPECIFIED.
- 6. ALL THROUGH HOLES ARE LOCATED WITH A TRUE POSITION OF 0.004 [0.10]
- 7. ALL HOLE DIAMETERS ARE FINISHED HOLE SIZE
- 8. Ø0.098 [2.49] THROUGH HOLES ARE UNPLATED
- 9. Ø0.0453±0.0010 [1.151±0.025] DRILLED HOLES PLATED WITH 0.0003 [0.008] MIN SnPb OVER 0.001 [0.03] TO 0.003 [0.08] Cu PLATING TO ACHIEVE A Ø0.040±0.003 [1.02±0.07] HOLE]

B

B

**CONFIDENTIAL**

mat'l code		SEE NOTES		tolerances unless otherwise specified		CUSTOMER		 www.fciconnect.com	
ltr	ecr no.	dr	date	linear	.XX±.01/.X±.3	COPY		 projection	title 7P + 40S VERTICAL SOLDER RECEPTACLE
C					.XXX±.005/.XX±.13	INCH/MM			
				angles	.XXX±.0020/.XX±.051	scale		size A 51658 sheet 3 of 3	
				dr	0°±2°	1:1			
				enr	C. BAROT 05-11-99				
				chr	J. BROWN 05-11-99				
				appd	J. BROWN 05-11-99				
sheet index	revision sheet								

cage code 22526

Pro/E

3

4

**PDM: Rev:C**

STATUS: **Released**

Printed: Dec 20, 2010