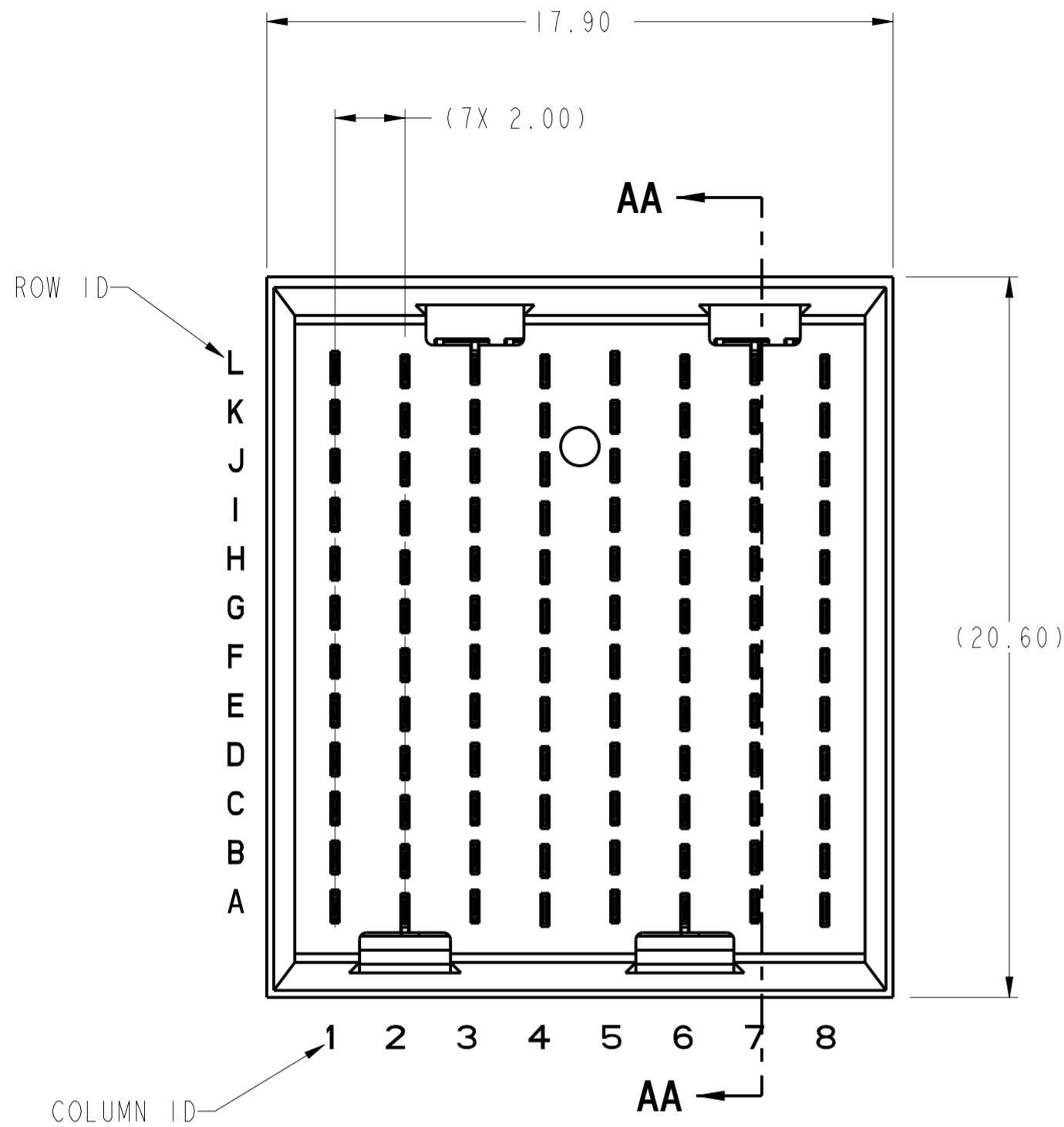
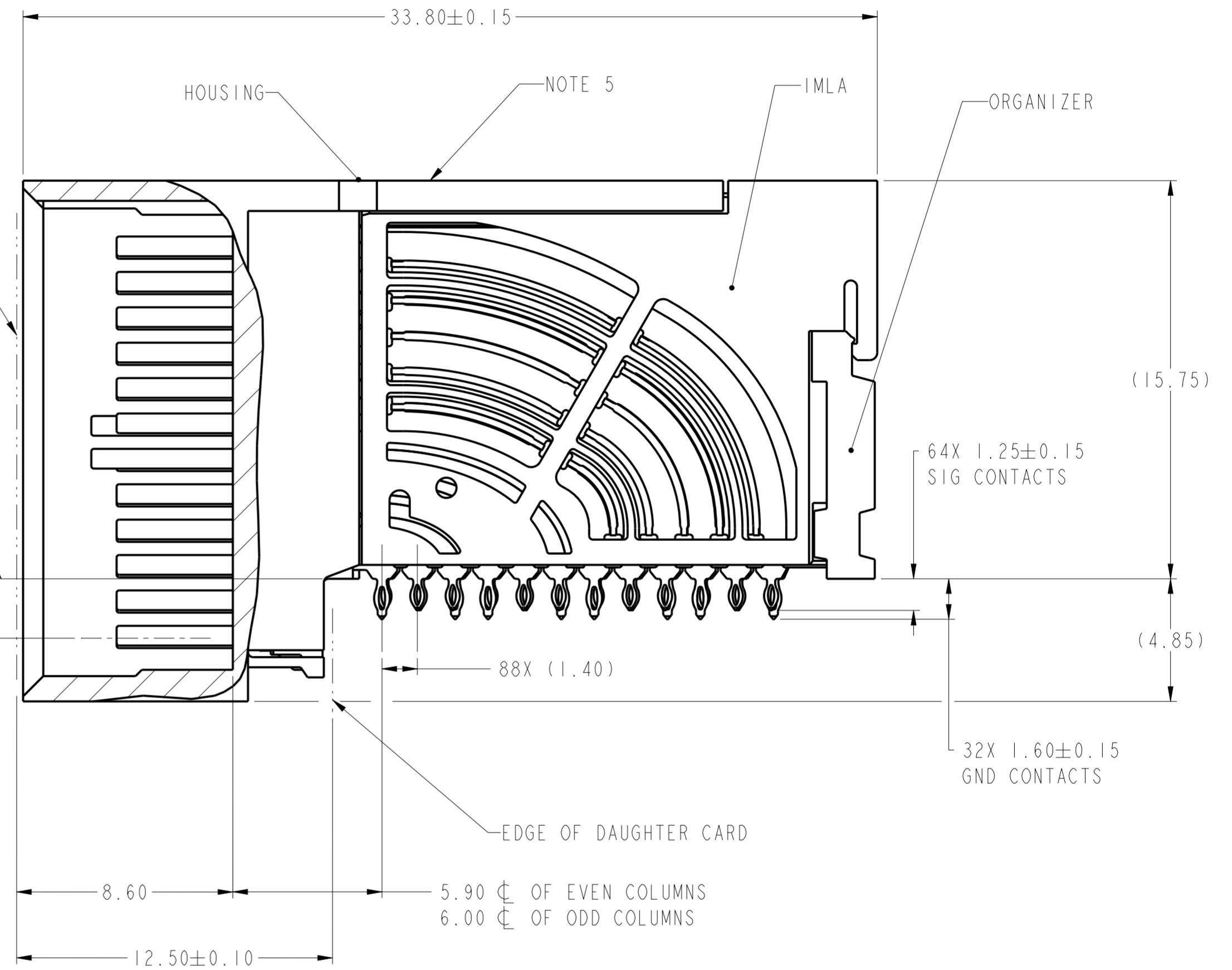


PRODUCT NUMBER
SEE SHEET 3



2.35 ϕ OF EVEN COLUMNS
2.25 ϕ OF ODD COLUMNS



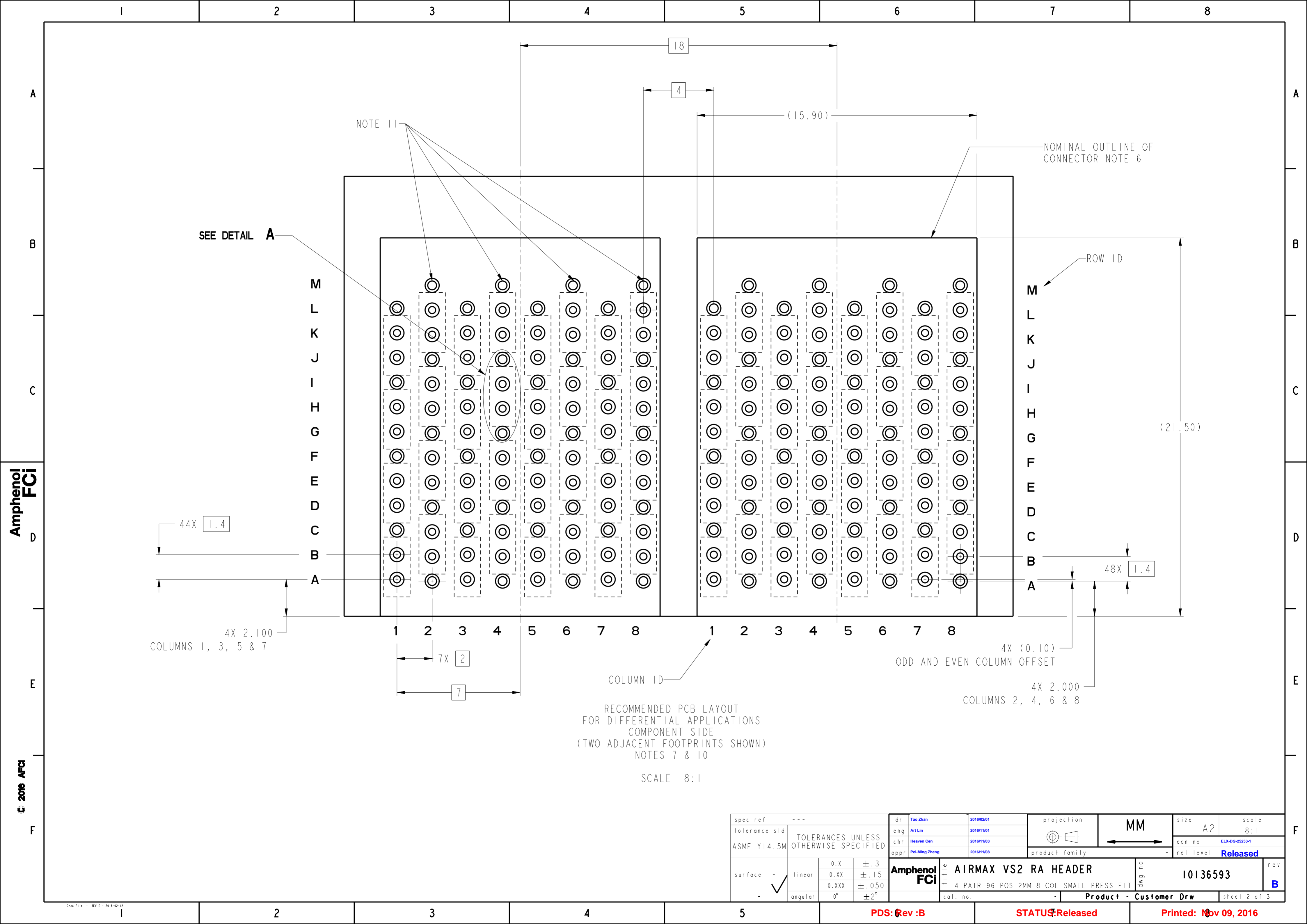
SECTION AA-AA

spec ref	---	dr	Tao Zhan	2016/02/01	projection	MM	size	A2	scale	10:1
tolerance std	ASME Y14.5M	eng	Art Lin	2016/11/01			ecn no	ELX-DG-25253-1	rel level	Released
TOLERANCES UNLESS OTHERWISE SPECIFIED		chr	Heaven Cen	2016/11/03						
surface	-	appr	Pei-Ming Zheng	2016/11/08	product family	-	rel level	Released	rev	B
linear	0.X ±.3 0.XX ±.15 0.XXX ±.050			AIRMAX VS2 RA HEADER 4 PAIR 96 POS 2MM 8 COL SMALL PRESS FIT		cat. no.	Product - Customer Drw	sheet 1 of 3	10136593	
angular	0° ±2°									

PDS: Rev :B

STATUS: Released

Printed: Nov 09, 2016



NOTE 11

SEE DETAIL A

NOMINAL OUTLINE OF CONNECTOR NOTE 6

ROW ID

44X 1.4

4X 2.100
COLUMNS 1, 3, 5 & 7

7X 2

COLUMN ID

4X (0.10)
ODD AND EVEN COLUMN OFFSET

4X 2.000
COLUMNS 2, 4, 6 & 8

48X 1.4

RECOMMENDED PCB LAYOUT
FOR DIFFERENTIAL APPLICATIONS
COMPONENT SIDE
(TWO ADJACENT FOOTPRINTS SHOWN)
NOTES 7 & 10

SCALE 8:1

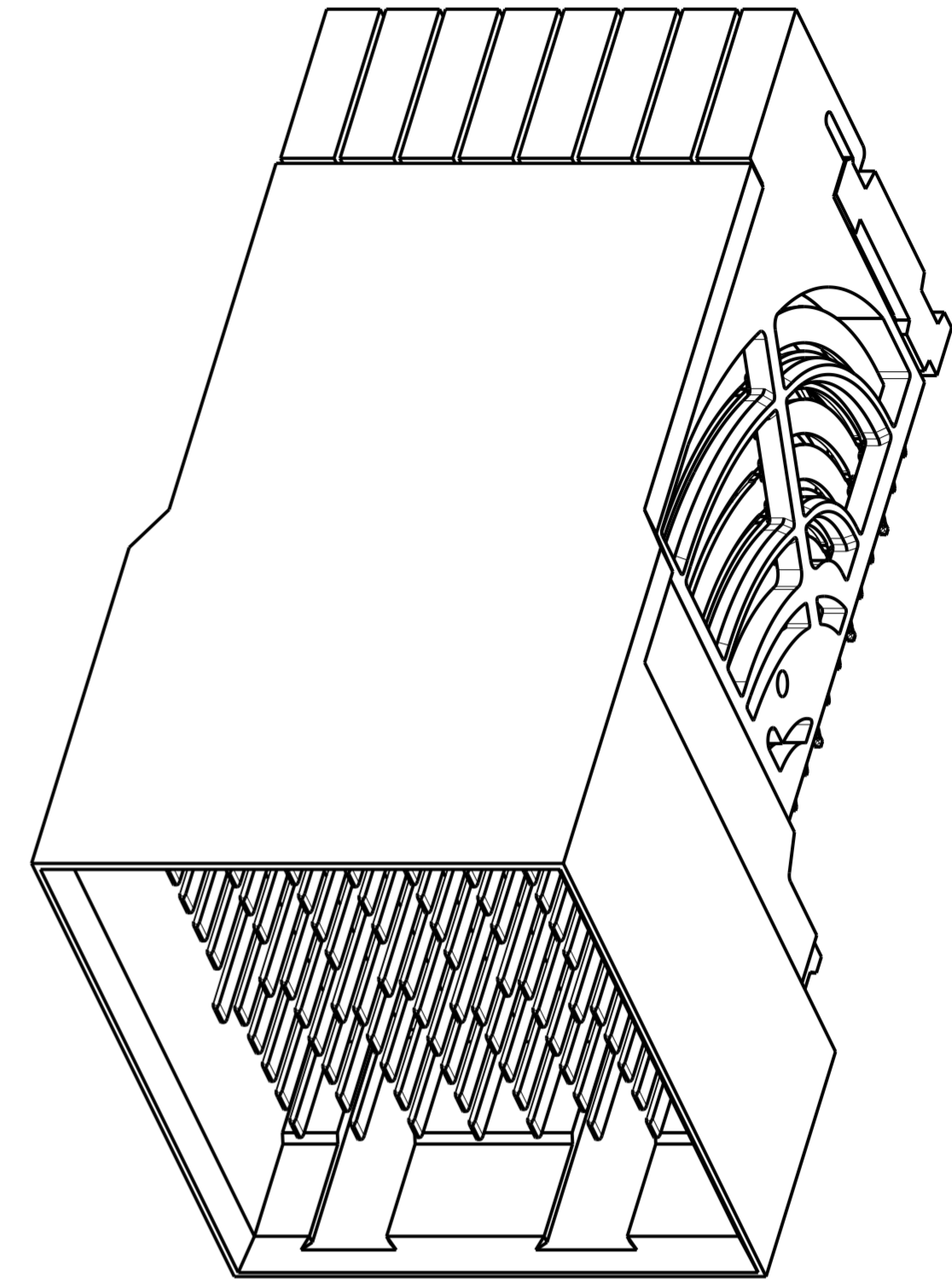
spec ref	---	dr	Tao Zhan	2016/02/01	projection	MM	size	A2	scale	8:1
tolerance std	ASME Y14.5M	eng	Art Lin	2016/11/01			ecn no	ELX-DG-2523-1		
TOLERANCES UNLESS OTHERWISE SPECIFIED		chr	Heaven Cen	2016/11/03			rel level	Released		
surface	-	appr	Pei-Ming Zheng	2016/11/08	product family	-		rel level	Released	
linear	0.X ±.3	Amphenol FCI		TITLE		AIRMAX VS2 RA HEADER		dwg no	10136593	
	0.XX ±.15			4 PAIR 96 POS 2MM 8 COL SMALL PRESS FIT				rev	B	
	0.XXX ±.050							Product - Customer Drw		sheet 2 of 3
angular	0° ±2°							PDS: Rev : B		STATUS: Released
								Printed: Nov 09, 2016		

Amphenol FCI

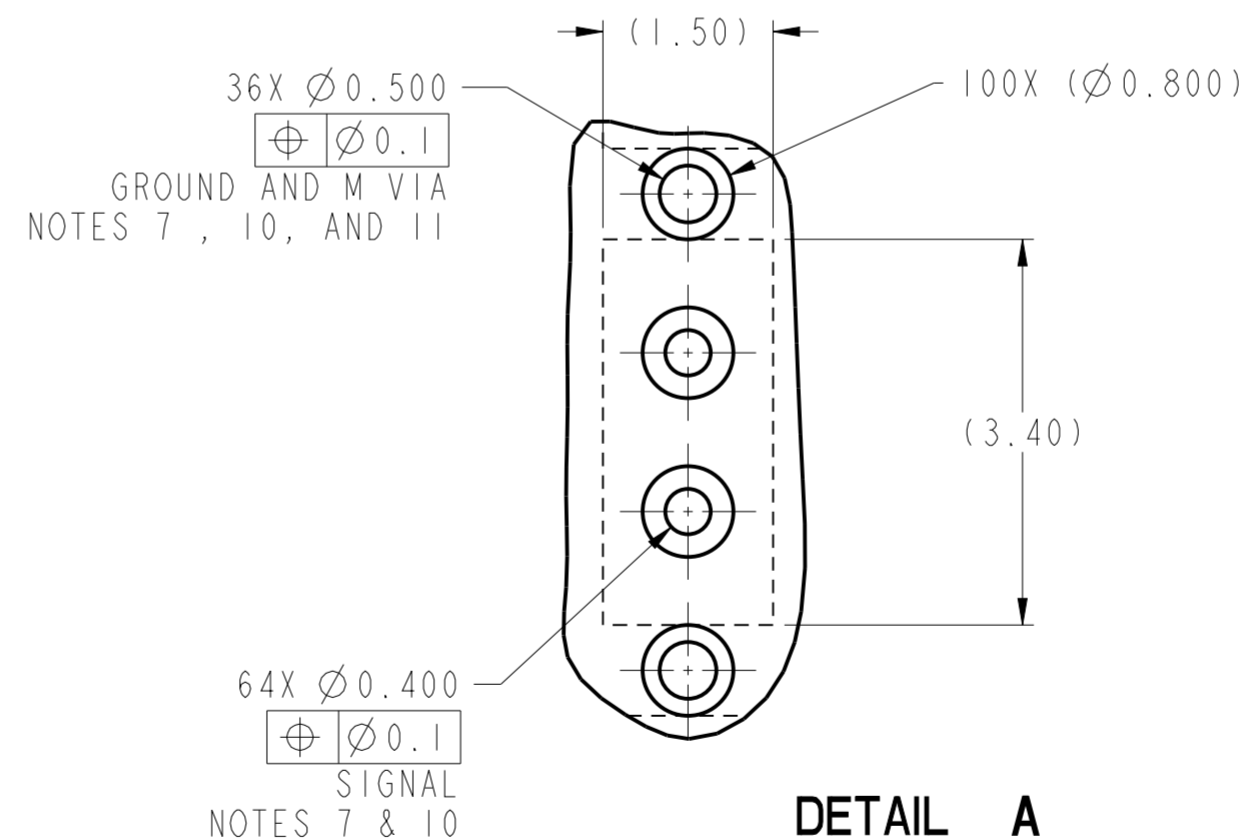
© 2016 APCI

PRODUCT NUMBER	PRESS-FIT TAIL PLATING TYPE	REMARKS
10136593-101LF	TIN OVER NICKEL (LEAD FREE)	1-SIDE PLATING CUSTOMER SPECIAL
10136593-102LF	TIN OVER NICKEL (LEAD FREE)	2-SIDES PLATING

- 1 - CONNECTOR MATERIALS:
HOUSING: HIGH TEMP THERMOPLASTIC, NATURAL, UL94-V0
IMLA PLASTIC: HIGH TEMP THERMOPLASTIC, BLACK, UL94-V0
CONTACT: COPPER ALLOY
ORGANIZER: HIGH TEMP THERMOPLASTIC, NATURAL, UL94-V0
- 2 - CONTACT PLATING:
SEPARABLE INTERFACE:
PERFORMANCE-BASED PLATING, QUALIFIED TO MEET THE REQUIREMENTS OF FCI PRODUCT SPECIFICATION GS-12-0956 INCLUDING TELCORDIA GR-1217-CORE (NOVEMBER 1995) CENTRAL OFFICE TEST SEQUENCE
- PRESS-FIT TAILS: SEE TABLE
- 3 - PRODUCT SPECIFICATION: GS-12-0956
- 4 - APPLICATION SPECIFICATION: GS-20-0305
- 5 - PRODUCT MARKING, (PROTOTYPE, PART NUMBER & LOT CODE), ON THIS SURFACE.
- 6 - CONNECTOR OUTLINE MAY BE SCREEN PRINTED ONTO CUSTOMER PCB TO BE USED AS A GUIDE FOR CONNECTOR PLACEMENT.
- 7 - REFER TO CUSTOMER DRAWING 10104444 FOR INFORMATION ON PCB HOLE DIAMETERS AND PLATING OPTIONS
- 8 - LEAD FREE PRODUCT MEETS THE EUROPEAN UNION DIRECTIVES & OTHER COUNTRY REGULATIONS AS DESCRIBED IN GS-22-008
- 9 - PACKAGING MEETS GS-14-920 LEAD FREE LABELING SPECIFICATION.
- 10 - GROUND CONTACTS (C, F, I & L IN ODD COLUMNS AND A, D, G & J IN EVEN COLUMNS) REQUIRE (Ø0.50) FINISHED HOLES. SIGNAL LOCATIONS REQUIRE (Ø0.40) FINISHED HOLES
- 11 - THESE OUTER VIAS (M) ARE OPTIONAL. WHILE NO CONNECTOR EONS ARE PRESSED INTO THESE HOLES WE RECCOMMEND (Ø0.500) FINISHED HOLES AT THESE LOCATIONS TO PROVIDE GROUND SYMMETRY THROUGH THE PCB.



10136593-101LF



DETAIL A
SCALE 15:1

spec ref	---	dr	Tao Zhan	2016/02/01	projection	MM	size	A2	scale	10:1		
tolerance std	ASME Y14.5M	eng	Art Lin	2016/11/01			ecn no	ELX-DG-2523-1				
TOLERANCES UNLESS OTHERWISE SPECIFIED		chr	Heaven Cen	2016/11/03			rel level	Released				
surface	linear	appr	Pei-Ming Zheng	2016/11/08	product family	-		rel level	Released			
	0.X	±.3	Amphenol FCI		AIRMAX VS2 RA HEADER		dwg no	10136593		rev	B	
	0.XX	±.15					4 PAIR 96 POS 2MM 8 COL SMALL PRESS FIT		Product - Customer Drw		sheet 3 of 3	
	0.XXX	±.050									-	
	angular	0°	-		-		-		-			

PDS: Rev :B

STATUS: Released

Printed: Nov 09, 2016