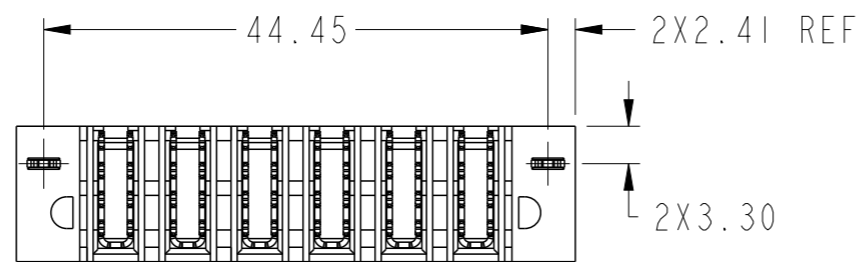
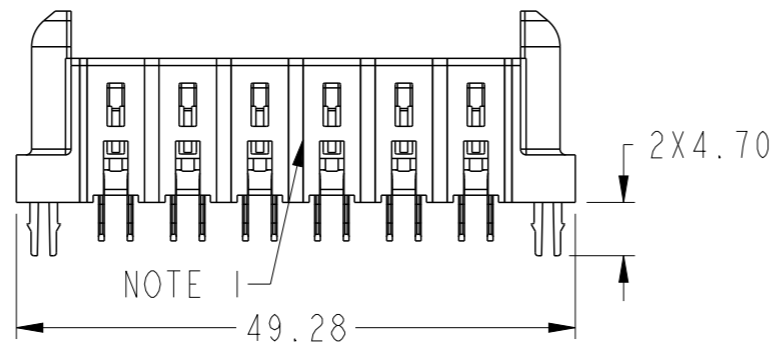
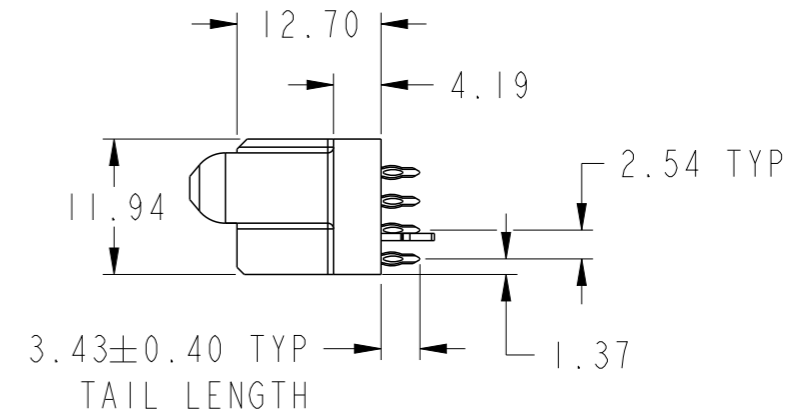
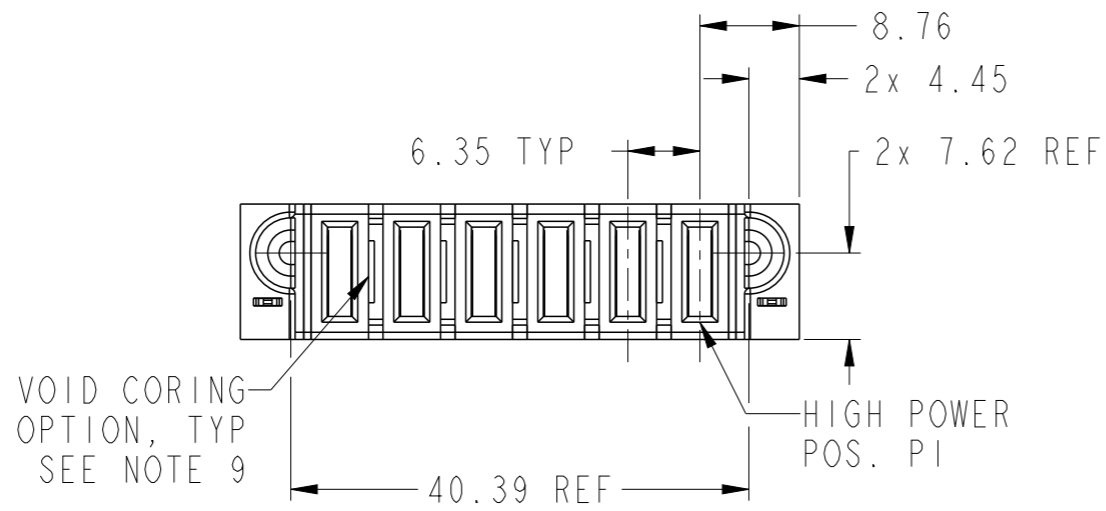


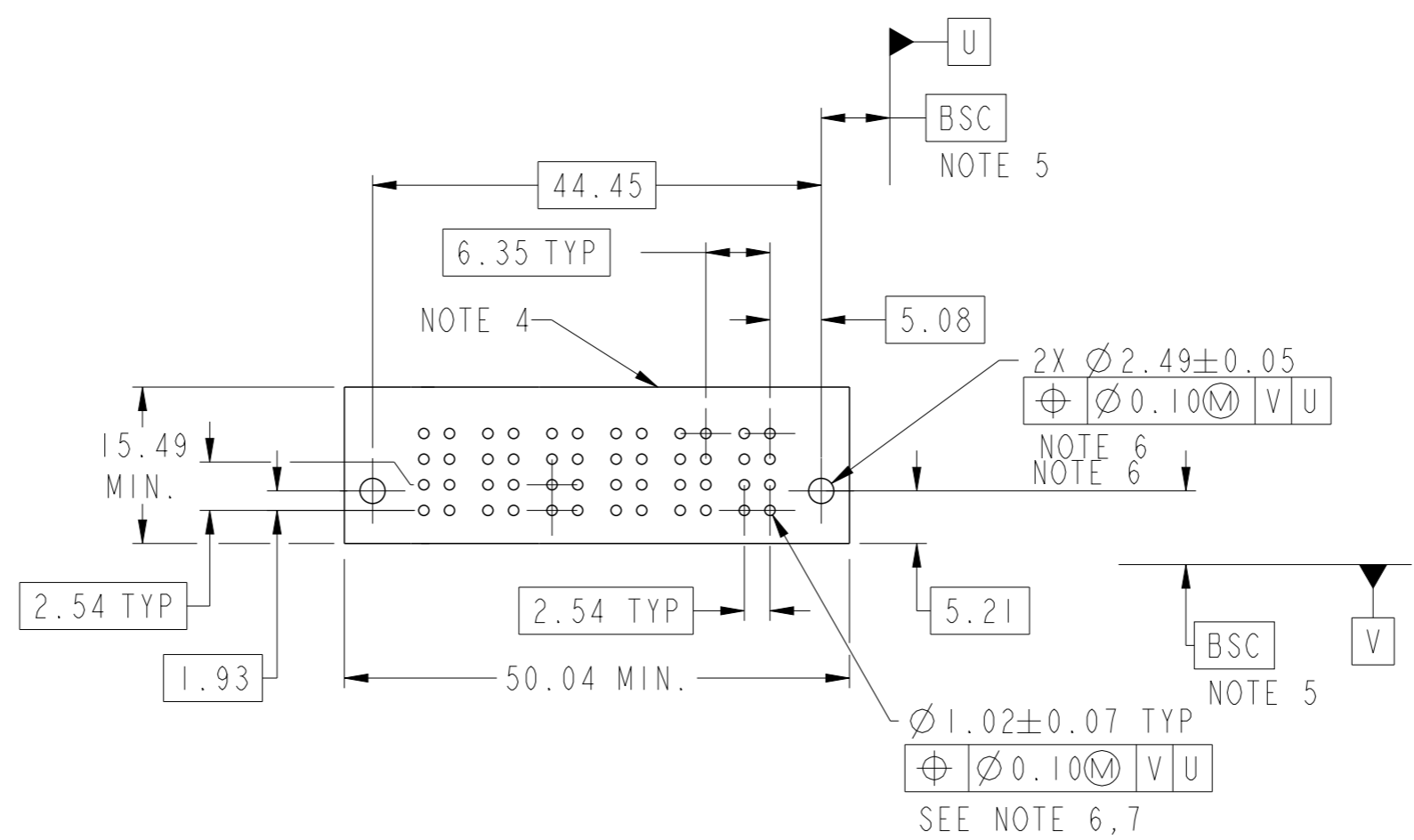
PRODUCT NUMBER SEE SHEET 2



spec ref	dr Rainbow Zhan 2014/12/11			projection	MM	size A3	scale 3:2
tolerance std	eng Vicking Liu 2015/08/14					ecn no -	rel level Released
ASME Y14.5	chr Fancy Zhang 2015/08/13						
surface ✓	linear	0.X	±0.50		title 6HP VT PF RECEPTACLE	dwg no 10106131-6000001	rev A
		0.XX	±0.25				
		0.XXX	±0.10				
ASME Y14.5	angular	0°	±2°	www.fci.com	cat. no.	Product - Customer Drw	sheet 1 of 3

PRODUCT NO.	ROWS	HIGH POWER							
		E1	P6	P5	P4	P3	P2	P1	E2
10106131-6000001LF	DCBA		HG	HG	HG	HG	HG	HG	

CODE	DESCRIPTION
HA	METAL HOLD DOWN
HG	STD HIGH POWER CONTACT (3.43)



Copyright FCI.

dr	Rainbow Zhan	2014/12/11	projection 	MM 	size	A3	scale	3:2
eng	Vicking Liu	2015/08/14			ecn no	-		
chr	Fancy Zhang	2015/08/13			rel level	Released		
appr	Pei-Ming Zheng	2015/08/14	product family	PowerBlade+				
		title 6HP VT PF RECEPTACLE		dwg no 10106131-6000001	rev A			
www.fci.com			cat. no.	Product - Customer Drw		sheet 2 of 3		

A

B

C

D

A

B

C

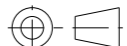
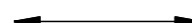

D

NOTES:

- ① "FCI", PART NUMBER AND DATE CODE TO BE MARKED ON THIS SURFACE.
THE MARK CAN BE OMITTED IF THERE IS NOT ENOUGH SPACE ON THIS SURFACE.
- 2) MATERIALS:
-HOUSING - GLASS FILLED WITH HIGH TEMP THERMOPLASTIC, UL94V-0.
-SIGNAL CONTACT - COPPER ALLOY.
-POWER CONTACT - HIGH CONDUCTIVITY COPPER ALLOY.
- 3) PLATING SPECIFICATION REFER TO FCI 10116351
- ④ DENOTES CONNECTOR KEEP OUT ZONE.
- ⑤ DATUM AND BASIC DIMENSIONS WERE ESTABLISHED BY CUSTOMER.
- ⑥ ALL HOLE DIAMETERS ARE FINISHED HOLE SIZES.
- ⑦ 1.15 ± 0.025 MM DRILLED HOLE PLATED WITH 0.00762MM MIN Sn
OVER 0.0254-0.0762MM Cu PLATING TO ACHIEVE A 1.02 ± 0.07 MM HOLE.
- 8) PRODUCT SPECIFICATION: GS-12-658.
APPLICATION SPECIFICATION: GS-20-141.
PRODUCT PACKAGED IN TRAYS: GS-14-1502.
- ⑨ THE VOID CORING BETWEEN POWER MODULES, SIGNAL
MODULES AND END MODULES ARE OPTIONAL AND THE SHAPE
MAY BE DIFFERENT FOR OPTIMIZING THE MOLDING PROCESS. THE
VOID CORING WILL NOT EFFECT TO PRODUCT FUNCTION.



Copyright FCI.

dr	Rainbow Zhan	2014/12/11	projection 	MM 	size	A3	scale	1:1
eng	Vicking Liu	2015/08/14			ecn no	-		
chr	Fancy Zhang	2015/08/13			product family	PowerBlade+	rel level	Released
appr	Pei-Ming Zheng	2015/08/14						
		title 6HP VT PF RECEPTACLE	dwg no 10106131-6000001	rev A				
www.fci.com		cat. no.	Product - Customer Drw		sheet 3 of 3			