

## N Type Connector Receptacle, Female Socket 50 Ohms Panel Mount Solder

**RoHS  
Compliant**

Stock No.: 9200914C0189

### FEATURES

- N Plug
- 50 Ohms
- Panel Mount



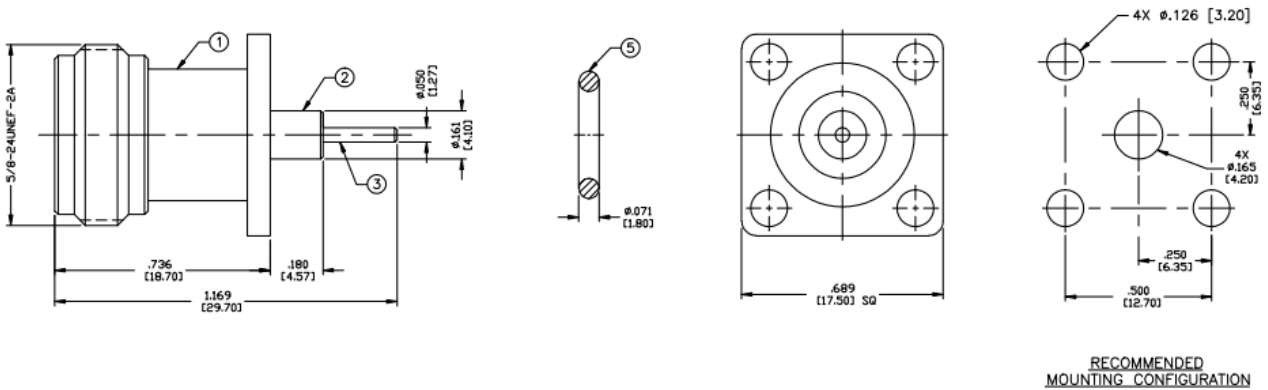
### Product Description

N connector has a robust center contact and outer conductor interface. N connectors generally work up to 11 GHz and are a cost-effective way of insuring a highly dependable RF Coaxial connection.

### General Specifications

Attribute	Value
Connector Style	N
Gender	Female
Impedance	50Ω
Mounting Type	Free Hanging (In-Line)
Frequency Range	11 GHz
Body Orientation	Straight
Polarity	Normal
Contact Plating	Gold
Body Plating	Nickel
Contact Material	Phosphor Bronze
Voltage Rating	1000 V
Temperature Range	-65°C ~ 85°C

## Product Drawing



Dimensions: Millimeters (Inches)

### Part Number Table

Part Number	Description
9200914C0189	N Type Connector Receptacle, Female Socket 50 Ohms Panel Mount Solder

Important Notice: This data sheet and its contents (the "Information") belong to the members of the EASE group of companies (the "Group") or are licensed to it. No license is granted for the use of it other than for information purposes in connection with the products to which it relates. No license of any intellectual property rights is granted. The Information is subject to change without notice and replaces all data sheets previously supplied. The Information supplied is believed to be accurate, but the Group assumes no responsibility for its accuracy or completeness, any error in or omission from it or for any use made of it. Users of this data sheet should check for themselves the Information and the suitability of the products for their purpose and not make any assumptions based on information included or omitted. Liability for loss or damage resulting from any reliance on the Information or use of it (including liability resulting from negligence or where the Group was aware of the possibility of such loss or damage arising) is excluded. This will not operate to limit or restrict the Group's liability for death or personal injury resulting from its negligence. EASE is the registered trademark of Ease Electronics Co., Limited 2019.