

**BNC Connector Plug, Male Pin 75 Ohms
Free Hanging (In-Line) Crimp**

**RoHS
Compliant**

Stock No.: 9200904C0179

FEATURES

- BNC Plug
- 75 Ohms
- CommScope 735



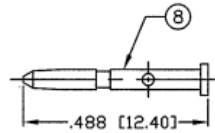
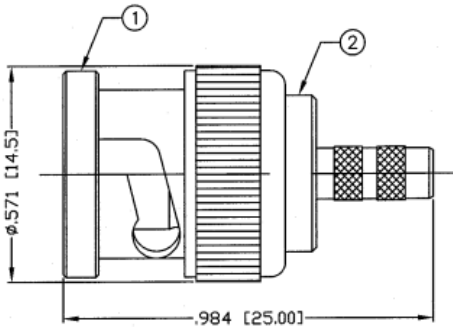
Product Description

BNC connector has a robust center contact and outer conductor interface. BNC connectors generally work up to 2 GHz and are a cost-effective way of insuring a highly dependable RF Coaxial connection.

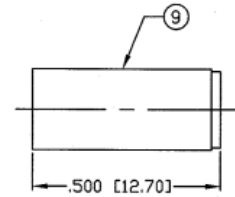
General Specifications

Attribute	Value
Connector Style	BNC
Gender	Male
Impedance	75Ω
Mounting Type	Free Hanging (In-Line)
Frequency Range	2 GHz
Body Orientation	Straight
Polarity	Normal
Contact Plating	Gold
Body Plating	Nickel
Contact Material	Brass
Voltage Rating	500 V
Temperature Range	-65°C ~ 165°C

Product Drawing



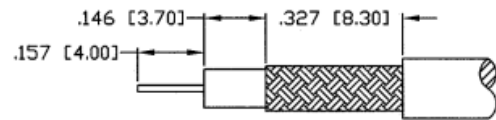
RECOMMENDED CRIMP DIE: .042



RECOMMENDED CRIMP DIE: .184

SPECIFICATIONS:

IMPEDANCE: 75 Ohms
 FREQUENCY RANGE: 0–2 GHz
 WORKING VOLTAGE: 500 V rms max. @ sea level
 TEMPERATURE RANGE: –65°C TO 165°C
 INSULATION RESISTANCE: 5k M Ohms min.
 FOR CommScope 735, 73501, 73501P



RECOMMENDED STRIPPING DIMENSIONS

Dimensions: Millimeters (Inches)

Part Number Table

Part Number	Description
9200904C0179	BNC Connector Plug, Male Pin 75 Ohms Free Hanging (In-Line) Crimp

Important Notice: This data sheet and its contents (the "Information") belong to the members of the EASE group of companies (the "Group") or are licensed to it. No license is granted for the use of it other than for information purposes in connection with the products to which it relates. No license of any intellectual property rights is granted. The Information is subject to change without notice and replaces all data sheets previously supplied. The Information supplied is believed to be accurate, but the Group assumes no responsibility for its accuracy or completeness, any error in or omission from it or for any use made of it. Users of this data sheet should check for themselves the Information and the suitability of the products for their purpose and not make any assumptions based on information included or omitted. Liability for loss or damage resulting from any reliance on the Information or use of it (including liability resulting from negligence or where the Group was aware of the possibility of such loss or damage arising) is excluded. This will not operate to limit or restrict the Group's liability for death or personal injury resulting from its negligence. EASE is the registered trademark of Ease Electronics Co., Limited 2019.